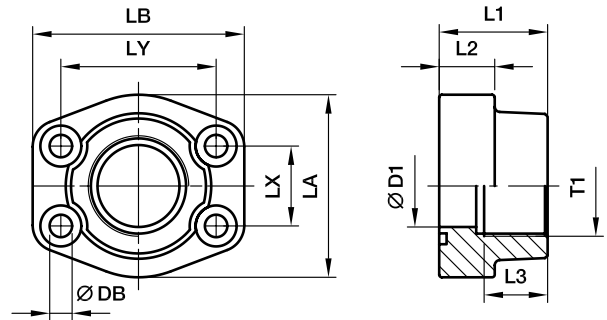


**5150 / 5151 - SAE Straight 4 bolt flange with BSPP thread**

SAE Flange / Female BSPP thread  
(ISO 6162-1/-2)



**3000 PSI Series**

Nom. flange size SAE (in.)	ISO (DN)	T1	D1	L1	L2	L3	LA	LB	LX	LY	DB	Weight (steel) kg/piece	Order code*	PN (bar)	
														S	SS
1/2	13	G 3/8	13	36	16	19	46	57	17.5	38.1	9.0	0.27	5150-06-08	345	345
1/2	13	G 1/2	13	36	16	19	46	57	17.5	38.1	9.0	0.25	5150-08-08	345	345
3/4	19	G 3/4	19	36	18	19	50	65	22.3	47.6	11.0	0.37	5150-12-12	345	345
3/4	13	G 1/2	13	36	18	19	50	65	22.3	47.6	11.0	0.40	5150-08-12	345	345
1	25	G 1	25	38	18	22	55	70	26.2	52.4	11.0	0.45	5150-16-16	345	345
1	19	G 3/4	19	35	21	19	55	70	26.2	52.4	11.0	0.45	5150-12-16	345	345
1 1/4	32	G 1 1/4	32	40	21	22	68	79	30.2	58.7	11.5	0.66	5150-20-20	276	276
1 1/4	25	G 1	25	42	25	22	65	80	30.2	58.7	11.5	0.80	5150-16-20	276	276
1 1/2	38	G 1 1/2	38	45	25	24	78	93	35.7	69.9	13.5	1.05	5150-24-24	207	207
1 1/2	32	G 1 1/4	32	45	27	24	78	95	35.7	69.9	13.5	1.17	5150-20-24	207	207
2	51	G 2	51	45	25	30	89	103	42.9	77.8	13.5	1.17	5150-32-32	207	207
2	38	G 1 1/2	38	45	25	26	89	103	42.9	77.8	13.5	1.52	5150-24-32	207	207
2 1/2	63	G 2 1/2	63	50	25	30	101	115	50.8	88.9	13.5	1.59	5150-40-40	172	172
2 1/2	51	G 2	51	50	25	30	101	115	50.8	88.9	13.5	2.13	5150-32-40	172	172
3	73	G 3	73	50	27	34	124	135	61.9	106.4	17.5	2.28	5150-48-48	138	138
3	63	G 2 1/2	63	50	27	30	124	135	61.9	106.4	17.5	2.56	5150-40-48	138	138
3 1/2	89	G 3 1/2	89	48	27	34	136	152	69.9	120.7	17.5	2.42	5150-56-56	34	34
3 1/2	73	G 3	73	48	27	34	136	152	69.9	120.7	17.5	3.28	5150-48-56	34	34
4	99	G 4	99	48	27	34	146	162	77.8	130.2	17.5	2.78	5150-64-64	34	34
4	89	G 3 1/2	89	48	27	34	146	162	77.8	130.2	17.5	3.30	5150-56-64	34	34
5	129	G 5	120	50	28	30	180	184	92.1	152.4	17.5	5.80	5150-80-80	34	34

**6000 PSI Series**

1/2	13	G 3/8	13	36	16	19	46	57	18.2	40.5	9.0	0.26	5151-06-08	420	420
1/2	13	G 1/2	13	36	16	19	46	57	18.2	40.5	9.0	0.29	5151-08-08	420	420
3/4	19	G 3/4	19	35	21	22	55	71	23.8	50.8	11.0	0.50	5151-12-12	420	420
3/4	13	G 1/2	13	35	21	22	55	71	23.8	50.8	11.0	0.50	5151-08-12	420	420
1	25	G 1	25	42	25	24	65	81	27.8	57.2	13.0	0.76	5151-16-16	420	420
1	19	G 3/4	19	42	25	24	65	81	27.8	57.2	13.0	0.76	5151-12-16	420	420
1 1/4	32	G 1 1/4	32	45	27	25	78	95	31.8	66.6	13.5	1.20	5151-20-20	420	420
1 1/2	38	G 1 1/2	38	50	30	28	94	112	36.5	79.3	17.0	1.65	5151-24-24	420	420
1 1/2	32	G 1 1/4	32	50	30	28	94	112	36.5	79.3	17.0	1.65	5151-20-24	420	420
2	51	G 2	51	65	37	30	114	134	44.5	96.8	21.0	2.45	5151-32-32	420	420
2	38	G 1 1/2	38	65	37	30	114	134	44.5	96.8	21.0	2.45	5151-24-32	420	420
2 1/2	63	G 2 1/2	63	80	45	32	152	180	58.7	123.8	25.0	3.05	5151-40-40	420	420
3	73	G 3	73	90	55	40	178	208	71.4	152.4	32.0	3.45	5151-48-48	420	420

\*Please add suffix **RVS** after partnumber if stainless steel is required.