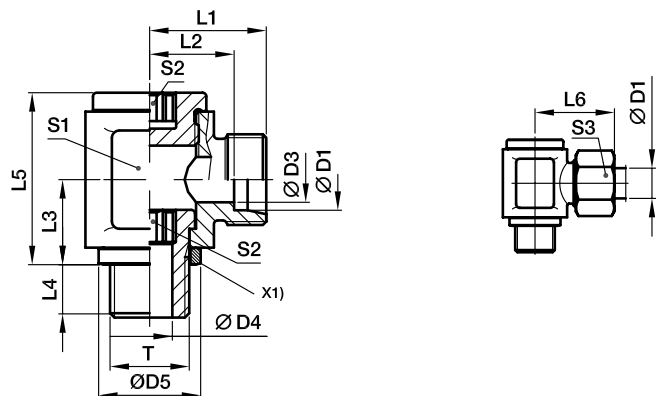


DSVW-M - Low pressure banjo elbow

EO 24° cone end / Male metric thread



X1) Sealing ring DKAZ

Series	Ø D1	T	D3	D4	D5	L1	L2	L3	L4	L5	L6	S1	S2	S3	Weight g/1 piece	Order code	PN (bar) CF
L	06	M 10×1.0	4	4.0	14	19.5	12.5	12	8	24	27	18	6	14	51	DSVW06LM	160
	08	M 12×1.5	6	5.5	17	21.5	14.5	15	12	30	29	22	6	17	86	DSVW08LM	160
	10	M 14×1.5	8	7.0	19	22.5	15.5	16	12	30	30	22	8	19	87	DSVW10LM	100
	12	M 16×1.5	10	8.0	21	25.0	18.0	18	12	37	33	27	10	22	145	DSVW12LM	100
	15	M 18×1.5	12	10.0	23	28.0	21.0	20	12	40	36	30	12	27	197	DSVW15LM	100
	18	M 22×1.5	15	14.0	27	29.0	21.5	23	14	46	38	36	14	32	264	DSVW18LM	100
	22	M 26×1.5	19	17.5	31	33.5	26.0	25	16	51	42	41	17	36	379	DSVW22LM	100
	28	M 33×2.0	24	22.0	39	39.0	31.5	32	18	64	48	50	22	41	682	DSVW28LM	100
	35	M 42×2.0	30	27.5	49	46.0	35.5	37	20	76	57	60	27	50	1146	DSVW35LM	63
42	M 48×2.0	36	32.5	55	51.0	40.0	42	22	85	63	70	32	60	1706	DSVW42LM	63	
S	06	M 12×1.5	4	5.5	17	23.5	16.5	15	12	30	31	22	6	17	90	DSVW06SM	160
	08	M 14×1.5	5	7.0	19	23.5	16.5	16	12	30	31	22	8	19	90	DSVW08SM	160
	10	M 16×1.5	7	8.0	21	26.0	18.5	18	12	37	35	27	10	22	154	DSVW10SM	100
	12	M 18×1.5	8	10.0	23	28.0	20.5	20	12	41	37	30	12	24	199	DSVW12SM	100
	14	M 20×1.5	10	12.0	25	31.0	23.0	21	14	42	41	32	12	27	239	DSVW14SM	100
	16	M 22×1.5	12	14.0	27	31.0	22.5	23	14	46	41	36	14	30	268	DSVW16SM	100
	20	M 27×2.0	16	17.5	32	38.0	27.5	28	16	58	49	46	17	36	532	DSVW20SM	100
	25	M 33×2.0	20	22.0	39	43.0	31.0	32	18	64	55	50	22	46	728	DSVW25SM	100
	30	M 42×2.0	25	27.5	49	50.0	36.5	37	20	76	63	60	27	50	1222	DSVW30SM	63
38	M 48×2.0	32	32.5	55	56.0	41.0	42	22	85	72	70	32	60	1820	DSVW38SM	63	

Order code suffixes			
			Body Only
Suffix			OMD
Example			DSVW12LMOMD