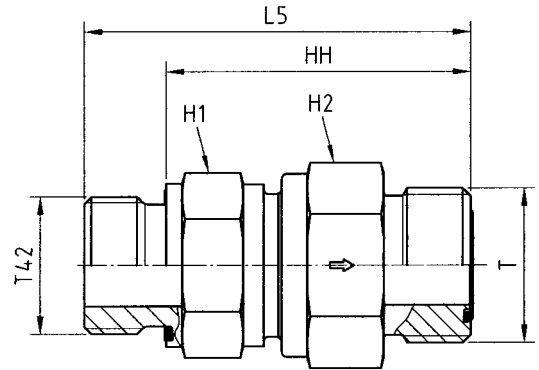


## RHV42EDMLOS Non return valve

Male BSPP thread – ED-seal (ISO 1179) / O-Lok® ORFS end



Tube O.D.		BSPP thread	ORFS (UN/UNF)					DN (Nom. diam.)	Weight g/1 piece	Order code*	PN (bar) <sup>1)</sup>
mm	Inch	T42	T	H1	H2	L5	HH				CF
6	1/4	G 1/8	9/16-18 UNF	19	19	44.5	36.5	3.5	92	<b>4RHV42EDMLOS</b>	420
8, 10	5/16, 3/8	G 1/4	11/16-16 UNF	24	27	56.5	44.5	6.5	165	<b>6RHV42EDMLOS</b>	420
12	1/2	G 3/8	13/16-16 UNF	24	27	61.5	49.5	7.5	191	<b>8RHV42EDMLOS</b>	420
14, 15, 16	5/8	G 1/2	1-14 UNF	32	36	70.0	56.0	11.5	366	<b>10RHV42EDMLOS</b>	420
18, 20	3/4	G 3/4	1 3/16-12 UNF	41	46	77.5	63.5	15.0	631	<b>12RHV42EDMLOS</b>	420
22, 25	1	G 1	1 7/16-12 UNF	46	50	84.0	66.0	19.0	863	<b>16RHV42EDMLOS</b>	420
28, 30, 32	1 1/4	G 1 1/4	1 11/16-12 UNF	60	60	95.0	75.0	24.0	1403	<b>20RHV42EDMLOS</b>	250
35, 38	1 1/2	G 1 1/2	2-12 UNF	65	70	105.0	83.0	29.0	1969	<b>24RHV42EDMLOS</b>	250

<sup>1)</sup>Pressure shown = item deliverable

$$\frac{\text{PN (bar)}}{10} = \text{PN (MPa)}$$

Information on ordering complete fittings or alternative sealing materials see page 17.



\*Please add the **suffixes** below according to the material/surface required.

Order code suffixes			
Material	Suffix surface and material	Example	Standard sealing material (no additional suffix needed)
Steel, zinc plated, Cr(VI)-free	CF	4RHV42EDMLOSCF	NBR