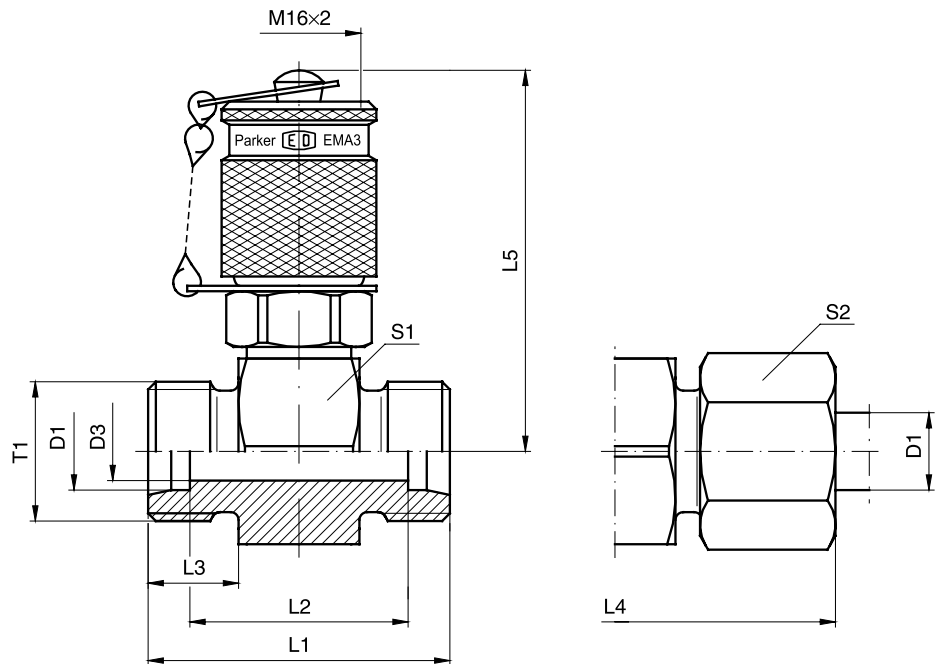


**GMA3 Straight Test Point with threaded connection M 16×2**

**Series 3**



Series	D1	T1	D3	L1	L2	L3	L4	L5	S1	S2	Weight g/1 piece	Order code*	PN (bar) <sup>1)</sup>		DF <sup>**</sup>	
													CF	71	CF	71
L <sup>3)</sup>	06	M 12×1.5	4	35	21	10	51	49.0	24	14	126	<b>GMA3/06LOMD</b>	315	315	4	4
	08	M 14×1.5	6	35	21	10	51	49.0	24	17	128	<b>GMA3/08LOMD</b>	315	315	4	4
	10	M 16×1.5	7	37	23	11	53	49.0	24	19	132	<b>GMA3/10LOMD</b>	315	315	4	4
	12	M 18×1.5	8	37	23	11	53	50.5	27	22	145	<b>GMA3/12LOMD</b>	315	315	4	4
	15	M 22×1.5	11	39	25	12	55	52.0	30	27	174	<b>GMA3/15LOMD</b>	315	315	4	4
	18	M 26×1.5	14	39	24	12	57	53.0	32	32	192	<b>GMA3/18LOMD</b>	315	315	4	4
	22	M 30×2.0	18	43	28	14	61	55.0	36	36	220	<b>GMA3/22LOMD</b>	160	160	4	4
	28	M 36×2.0	23	43	28	14	61	57.5	41	41	259	<b>GMA3/28LOMD</b>	160	160	4	4
	35	M 45×2.0	30	47	26	16	69	60.0	46	50	363	<b>GMA3/35LOMD</b>	160	160	4	4
	42	M 52×2.0	36	47	25	16	71	64.5	55	60	419	<b>GMA3/42LOMD</b>	160	160	4	4
S <sup>4)</sup>	06	M 14×1.5	4	39	25	12	55	49.0	24	17	137	<b>GMA3/06SOMD</b>	630	630	4	4
	08	M 16×1.5	5	39	25	12	55	49.0	24	19	141	<b>GMA3/08SOMD</b>	630	630	4	4
	10	M 18×1.5	7	39	24	12	57	49.0	24	22	141	<b>GMA3/10SOMD</b>	630	630	4	4
	12	M 20×1.5	7	39	24	12	57	49.0	24	24	150	<b>GMA3/12SOMD</b>	630	630	4	4
	14	M 22×1.5	10	43	27	14	63	50.5	27	27	172	<b>GMA3/14SOMD</b>	630	630	4	4
	16	M 24×1.5	11	43	26	14	63	52.0	30	30	195	<b>GMA3/16SOMD</b>	400	400	4	4
	20	M 30×2.0	15	47	26	16	69	55.0	36	36	254	<b>GMA3/20SOMD</b>	400	400	4	4
	25	M 36×2.0	20	51	27	18	75	57.5	41	46	329	<b>GMA3/25SOMD</b>	400	400	4	4
	30	M 42×2.0	25	55	28	20	81	60.0	46	50	412	<b>GMA3/30SOMD</b>	400	400	4	4
	38	M 52×2.0	32	61	29	22	91	64.5	55	60	616	<b>GMA3/38SOMD</b>	315	315	4	4

\*\*DF = Design Factor

<sup>1)</sup>Pressure shown = item deliverable

<sup>3)</sup>L = light series; <sup>4)</sup>S = heavy series

$$\frac{PN \text{ (bar)}}{10} = PN \text{ (MPa)}$$

**Delivery without nut and ring.**  
**Information on ordering complete fittings**  
**or alternative sealing materials see page 17.**

\*Please add the **suffixes**  
 below according to the material/  
 surface required.

Order code suffixes			
Material	Suffix surface and material	Example	Standard sealing material (no additional suffix needed)
Steel, zinc plated, Cr(VI)-free	CF	GMA3/06LOMDCF	NBR
Stainless Steel	71	GMA3/06LOMD71	VIT

