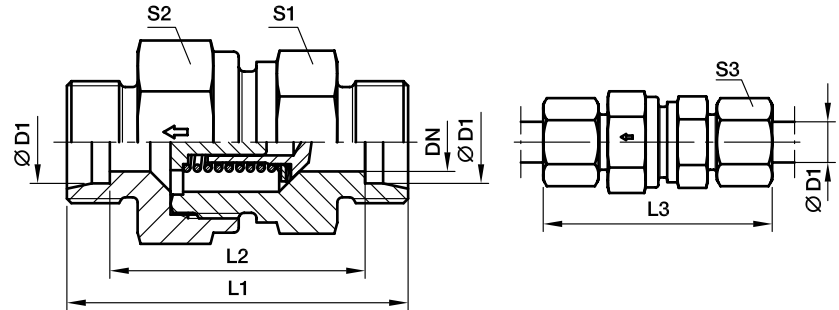


## RHD Non return valve

EO 24° cone end / EO 24° cone end



Series	D1 Ø	CF DN	71 DN	CF L1	71 L1	L2	L3	S1	CF S2	71 S2	S3	Weight g/1 piece	Order code	PN (bar)	
														CF	71
L	06	3.5	3.5	43.0	43.0	29.0	58.0	17	17	17	14	46	RHD06L	400	250
	08	5.5	5.5	44.0	44.9	30.0	59.0	19	19	19	17	61	RHD08L	400	250
	10	7.5	7.5	55.0	54.5	40.5	69.5	22	24	24	19	104	RHD10L	400	250
	12	9.5	9.5	58.0	57.5	43.5	72.5	27	30	30	22	166	RHD12L	400	250
	15	11.0	11.5	62.0	61.5	47.5	77.5	27	32	32	27	192	RHD15L	400	250
	18	14.0	14.0	67.0	66.5	51.5	83.5	36	41	36	32	292	RHD18L	400	160
	22	18.0	18.0	77.0	76.5	61.5	93.5	41	46	46	36	472	RHD22L	250	160
	28	23.0	23.0	85.0	84.5	69.5	102.5	50	55	55	41	746	RHD28L	250	100
	35	29.0	29.0	96.0	95.5	74.5	117.5	60	65	60	50	1062	RHD35L	250	100
	42	29.0	29.0	96.0	96.0	74.0	119.0	65	70	70	60	1518	RHD42L	250	100
S	06	3.5	3.5	48.5	48.5	34.5	63.5	19	19	19	17	70	RHD06S	420	400
	08	3.5	3.5	48.5	48.5	34.5	63.5	19	19	19	19	74	RHD08S	420	400
	10	5.5	5.5	55.5	55.5	40.5	72.5	22	24	24	22	121	RHD10S	420	400
	12	7.5	7.5	57.5	57.5	42.5	74.5	24	27	27	24	148	RHD12S	420	400
	14	9.5	9.5	64.0	63.5	47.5	82.5	27	32	32	27	218	RHD14S	420	315
	16	11.0	11.5	68.0	67.5	50.5	86.5	32	36	36	30	286	RHD16S	420	315
	20	15.0	15.0	76.0	75.5	54.5	97.5	41	50	46	36	506	RHD20S	420	250
	25	19.0	19.0	83.0	82.5	58.5	106.5	46	55	50	46	639	RHD25S	420	250
	30	24.0	24.0	97.0	96.5	69.5	122.5	60	60	60	50	1157	RHD30S	250	250
	38	29.0	29.0	108.0	107.5	75.5	136.5	65	70	70	60	1650	RHD38S	250	250

Order code suffixes			
	Stainless Steel		Body Only
Suffix	71		OMD
Example	RHD16SR71		RHD16SOMD