

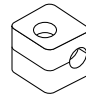
Tube clamps

Tube clamps series A (Light construction series) – Components

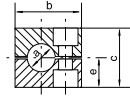
DIN 3015, part 1

Order code for clamp halves:

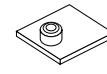
- Polypropylene – **STANDARD**
- Inside smooth – **GLAD**
- Polyamide 6 – **PA**
- Inside smooth – **PAGLAD**
- Rubber – **RUB**
- Aluminium – **ALU**



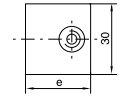
size 0



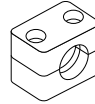
size 0



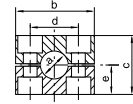
size 0



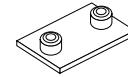
size 0



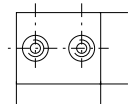
size 1-8



size 1-8
Width: 30 mm



size 1-8



size 1-8
Thickness:
3 mm

clamp size	Tube O.D. mm a	Tube NB	Tube O.D.	1 part 2 clamp halves				welding plate, short				
				Order code	dimensions: b c d e				Order code	dimensions: d e		
0	6.0	G 1/8	1/4	390000	28	27	-	13.5	390999	-	30	
	6.4											390032
	8.0											390001
	9.5											390034
	10.0											390002
	12.0											390003
1	6.0	G 1/8	1/4	390004	34	27	20	13.5	390998	20	36	
	6.4											390035
	8.0											390005
	9.5											390037
	10.0											390006
	12.0											390007
2	12.7	G 1/4	1/2	390038	42	33	26	16.5	390997	26	42	
	13.5											390025
	14.0											390008
	15.0	G 3/8	5/8	390009	42	33	26	16.5	390997	26	42	
	16.0											390010
	17.2											390026
18.0	390011											
3	19.0	G 1/2	3/4	390040	49	35	33	17.5	390996	33	50	
	20.0											390012
	21.3											390027
	22.0											390013
	23.0											390014
	25.0											390015
4	26.9	G 3/4	1	390028	59	42	40	21	390995	40	59	
	28.0											390016
	30.0											390017
5	32.0	G 1	1 1/4	390018	71	58	52	29	390994	52	72	
	33.7											390029
	35.0											390019
	38.0	G 1 1/4	1 1/2	390020	71	58	52	29	390994	52	72	
	40.0											390021
	42.0											390022
6	44.5	G 1 1/2	1 3/4	390050	86	66	66	33	391000	66	88	
	45.0											390044
	48.0											390045
	50.0											390046
	50.8	2	2 1/4	390051	86	66	66	33	391000	66	88	
	52.0											390047
	55.0											390048
	57.0											390052

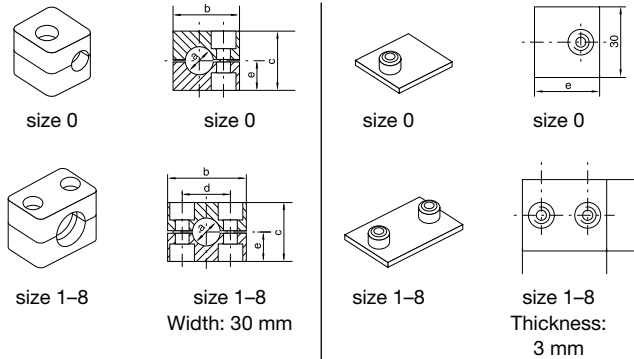
Continued on next page...

Tube clamps series A (Light construction series) – Components (Continued)

DIN 3015, part 1

Order code for clamp halves:

- Polypropylene – **STANDARD**
- Inside smooth – **GLAD**
- Polyamide 6 – **PA**
- Inside smooth – **PAGLAD**
- Rubber – **RUB**
- Aluminium – **ALU**



clamp size	Tube O.D. mm a	Tube NB	Tube O.D.	1 part 2 clamp halves				welding plate, short			
				Order code	dimensions: b c d e			Order code	dimensions: d e		
7	57.2	G 2	2 1/4	390060 390061 390062 390063 390064 390065	121	93.6	94	46.8	391007	94	122
	60.3		2 1/2								
	63.5		2 3/4								
	70.0										
	73.0										
76.1	G 2 1/2	3									
8	88.9	G 3	4	390070	147	117.6	120	58.8	391008	120	148
	101.8			390071							

When assembling solid rubber clamps, covering plates, hexagon screws and locking washers must be used.
All metal parts available in stainless steel, please add suffix **RVS** after partnumber if stainless steel is required.

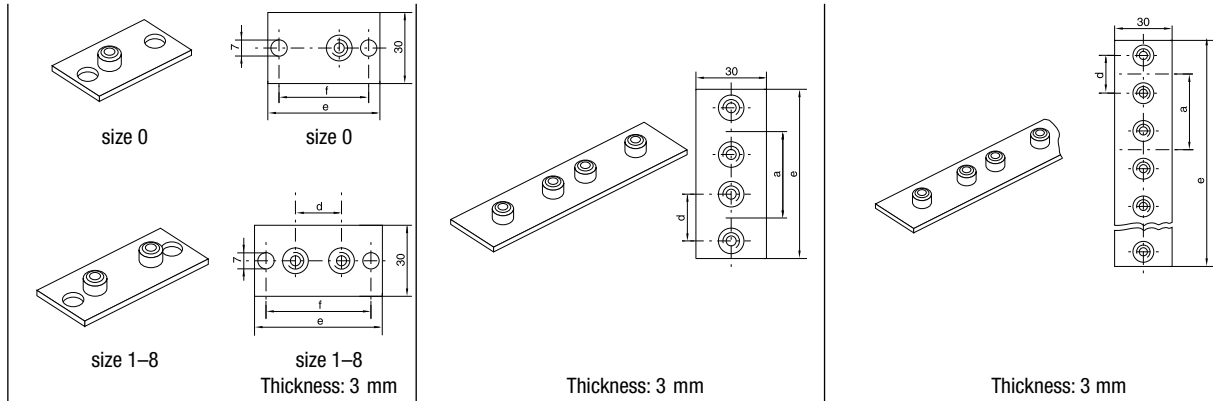
1) Aluminium only sizes 1 to 6.

Order code suffixes					
	Smooth	Polyamide	Polyamide smooth	Rubber	Aluminium
Suffix	GLAD	PA	PAGLAD	RUB	ALU
Example	390010GLAD	390010PA	390010PAGLAD	390010RUB	390010ALU

Tube clamps

Tube clamps series A (Light construction series) – Components

DIN 3015, part 1

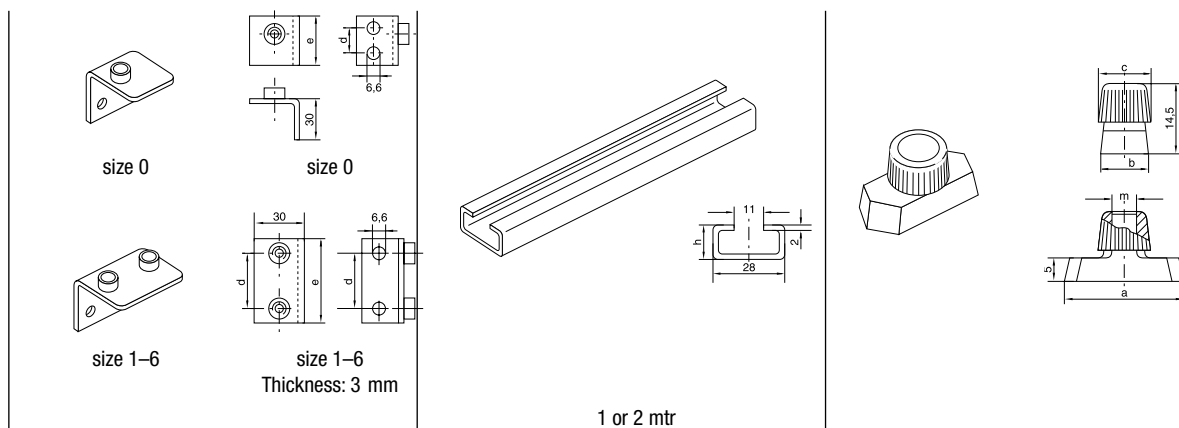


clamp size	weld/screw plate, long			twin welding plate			multiple weld plate					
	Order code	dimensions:			Order code	dimensions:			Order code	dimensions:		
		d	e	f		d	a	e		d	a	e
0	390993	–	58	44	390987	–	30	61	390981 (10 clamps)	–	30	298
1	390992	20	64	50	390986	20	35	69	390980 (10 clamps)	20	35	349
2	390991	26	70	56	390985	26	43	86	390979 (10 clamps)	26	43	427
3	390990	33	78	64	390984	33	52	104	390977 (10 clamps)	33	52	516
4	390989	40	87	73	390983	40	60	117	390975 (5 clamps)	40	60	297
5	390988	52	100	86	390982	52	75	145	390974 (5 clamps)	52	75	370
6	391001	66	116	100	391002	66	90	176	391003 (5 clamps)	66	90	446
7	391004	94	150	136								
8	391005	120	178	162								

All metal parts available in stainless steel, please add suffix **RVS** after partnumber if stainless steel is required.

Tube clamps series A (Light construction series) – Components

DIN 3015, part 1



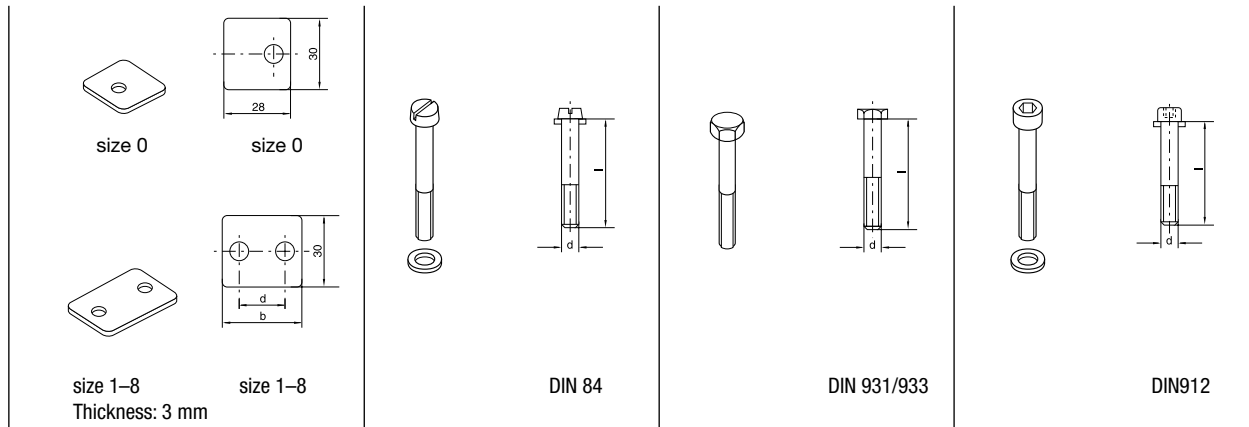
clamp size	weld plate, angled		mounting rail		rail nut			
	Order code	dimensions: d e	Order code	dimensions: h	Order code	dimensions: a b c m		
0	390899	14 30	390914 390915	14 30	390904	25.4 10.4 12 M6		
1	390898	20 36						
2	390897	26 42						
3	390896	33 50						
4	390895	40 59						
5	390894	52 72						
6	391800	66 88						

All metal parts available in stainless steel, please add suffix **RVS** after partnumber if stainless steel is required.

Tube clamps

Tube clamps series A (Light construction series) – Components

DIN 3015, part 1

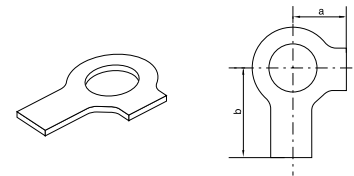
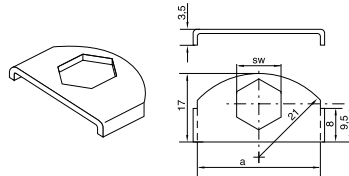
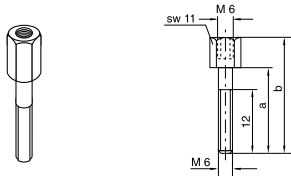


clamp size	cover plate		slot head		hexagon head		socket head	
	Order code	dimensions: b d	Order code	dimensions: d × L	Order code	dimensions: d × L	Order code	dimensions: d × L
0	390952	– –	090040	M 06×20	090091	M 06×30	090001	M 06×20
1	390951	34 20	090040	M 06×20	090091	M 06×30	090001	M 06×20
2	390950	40 26	090050	M 06×25	090101	M 06×35	090011	M 06×25
3	390949	48 33	090060	M 06×30	090111	M 06×40	090021	M 06×30
4	390948	57 40	090070	M 06×35	090121	M 06×45	089271	M 06×35
5	390947	70 52	090080	M 06×50	090131	M 06×60	090031	M 06×50
6	391043	86 66	090081	M 06×60	090082	M 06×70	090032	M 06×60
7	391044	120 94			090092	M 06×100		
8	391045	146 120			090093	M 06×125		

All metal parts available in stainless steel, please add suffix **RVS** after partnumber if stainless steel is required.

Tube clamps series A (Light construction series) – Components

DIN 3015, part 1



clamp size	stacking ¹⁾		locking plate ¹⁾		locking washer ²⁾	
	Order code	dimensions: a b	Order code	dimensions: a SW	Order code	dimensions: a b
0	090270	20 34				
1	090270	20 34				
2	090280	25 39				
3	090290	30 44	390925	30 11	090600	9 18
4	090300	35 49				
5	090310	50 64				
6	090361	60 74				

¹⁾ The use of stacking bolts necessitates the use of locking plates in the construction assembly.

²⁾ When assembling solid rubber clamps, cover plates, hexagon screws and locking washers must be used.

All metal parts available in stainless steel, please add suffix **RVS** after partnumber if stainless steel is required.