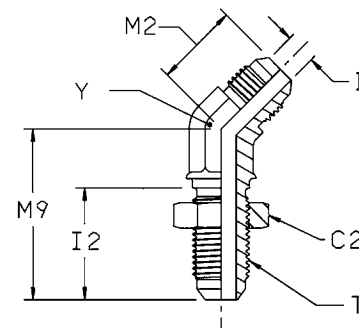


## WNTX 45° Bulkhead union elbow

Triple-Lok® 37° Flare ends  
SAE 070801 MS51509



Tube O.D.		Thread UN/UNF-2A T	C2 mm	D mm	I2 mm	M2 mm	M9 mm	Y mm	Weight (steel) g/1 piece	Triple-Lok® Steel	Triple-Lok® Stainless Steel	PN (bar)	
mm	in.											S	SS
6	1/4	7/16-20	17.5	4.4	26	18	39	11	32	<b>4 WNTX-WLN-S</b>	<b>4 WNTX-WLN-SS</b>	500	350
8	5/16	1/2-20	19	6	26	20	42	14	41	<b>5 WNTX-WLN-S</b>		420	—
10	3/8	9/16-18	20.5	7.5	28	21	42	14	48	<b>6 WNTX-WLN-S</b>	<b>6 WNTX-WLN-SS</b>	420	350
12	1/2	3/4-16	25.5	9.9	32	33	62	19	105	<b>8 WNTX-WLN-S</b>	<b>8 WNTX-WLN-SS</b>	420	350
14, 15, 16	5/8	7/8-14	28.5	12.3	35	28	55	22	152	<b>10 WNTX-WLN-S</b>	<b>10 WNTX-WLN-SS</b>	350	350
18, 20	3/4	1 1/16-12	35	15.5	40	33	62	27	245	<b>12 WNTX-WLN-S</b>	<b>12 WNTX-WLN-SS</b>	350	350
22, 25	1	1 5/16-12	41	21.5	40	37	65	33	355	<b>16 WNTX-WLN-S</b>	<b>16 WNTX-WLN-SS</b>	280	280
28, 30, 32	1 1/4	1 5/8-12	47.6	27.4	41	40	67	41	465	<b>20 WNTX-WLN-S</b>		280	—

Order codes shown are part of our current manufacturing programme.

Imperial and metric parts may vary in hexagon dimensions.

For the version without the locknut remove "WLN" (e.g. 16 WNTX)

$$\frac{\text{PN (bar)}}{10} = \text{PN (MPa)}$$

Do not create drawings from these dimensions, they are subject to change and ISO manufacturing allowances.



### Maximum bulkhead wallthickness

Size	Tube O.D.		Straight bulkhead union Max. thickness mm	Shape bulkhead union Max. thickness mm
	inch	metric		
4	1/4	6	8.4	5.3
5	5/16	8	8.4	5.3
6	3/8	10	10.7	7.1
8	1/2	12	11.2	8.4
10	5/8	14-16	10.9	8.1
12	3/4	18-20	11.2	8.6
14	7/8		10.4	7.9
16	1	22-25	9.9	7.4
20	1 1/4	28-32	10.2	7.4
24	1 1/2	35-38	7.1	—
32	2		7.1	—

