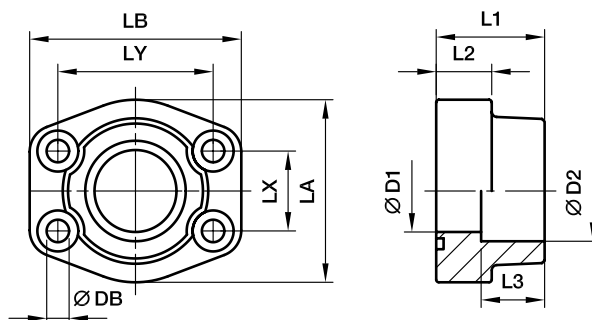


5138 / 5139 - SAE Straight 4 bolt flange (socket weld)

SAE Flange / Socket weld tube end
(ISO 6162-1/-2)



3000 PSI Series

Nom. flange size SAE (in.)	ISO (DN)	Ø max.	D1	D2	L1	L2	L3	LA	LB	LX	LY	DB	Weight (steel) kg/piece	Order code*	PN (bar)	
															S	SS
1/2	13	17.2	13	17.5	36	16	18	46	58	17.5	38.1	9.0	0.25	5138-017-08	345	345
1/2	13	21.3	13	21.6	36	16	18	46	58	17.5	38.1	9.0	0.28	5138-021-08	345	345
3/4	19	26.9	19	27.2	36	18	18	49	66	22.3	47.6	10.5	0.39	5138-027-12	345	345
1	25	33.7	25	34.1	38	18	18	53	70	26.2	52.4	10.3	0.46	5138-034-16	345	345
1 1/4	32	42.4	31	42.8	41	21	20	69	80	30.2	58.7	10.5	0.66	5138-042-20	276	276
1 1/2	38	48.3	38	48.6	44	25	22	77	94	35.7	69.9	13.5	1.05	5138-048-24	207	207
2	51	60.3	50	61.0	45	25	24	89	103	42.9	77.8	13.5	1.19	5138-060-32	207	207
2 1/2	64	76.1	63	76.6	50	25	28	101	115	50.8	88.9	13.5	1.40	5138-076-40	172	172
3	76	88.9	73	90.5	50	27	28	124	135	61.9	106.4	17.0	2.15	5138-090-48	138	138
3 1/2	89	101.6	89	103.0	50	27	28	137	153	69.9	120.7	17.0	2.40	5138-103-56	34	34
4	102	114.3	99	115.5	50	27	28	147	163	77.8	130.2	17.0	2.85	5138-115-64	34	34
5	127	140.0	120	142.0	50	28	28	180	184	92.1	152.4	17.0	3.25	5138-040-80	34	34

6000 PSI Series

1/2	13	17.2	13	17.5	36	16	18	46	58	18.2	40.5	9.0	0.26	5139-017-08	420	420
1/2	13	21.3	13	21.6	36	16	18	46	58	18.2	40.5	9.0	0.29	5139-021-08	420	420
3/4	19	26.9	19	27.2	36	19	20	53	71	23.8	50.8	10.3	0.50	5139-027-12	420	420
1	25	33.7	25	34.1	44	24	22	66	80	27.8	57.2	13.5	0.76	5139-034-16	420	420
1 1/4	32	42.4	31	42.8	44	27	22	77	94	31.8	66.6	15.0	1.20	5139-042-20	420	420
1 1/2	38	48.3	38	48.6	51	30	24	89	106	36.5	79.3	17.0	1.65	5139-048-24	420	420
2	51	60.3	50	61.0	70	37	25	116	135	44.5	96.8	21.0	2.45	5139-060-32	420	420
2 1/2	64	76.1	63	76.6	75	45	28	150	166	58.7	123.8	25.0	3.05	5139-076-40	420	420
3	76	88.9	73	90.5	90	55	30	178	208	71.4	152.4	32.0	3.45	5139-090-48	420	420

*Please add suffix **RVS** after partnumber if stainless steel is required.