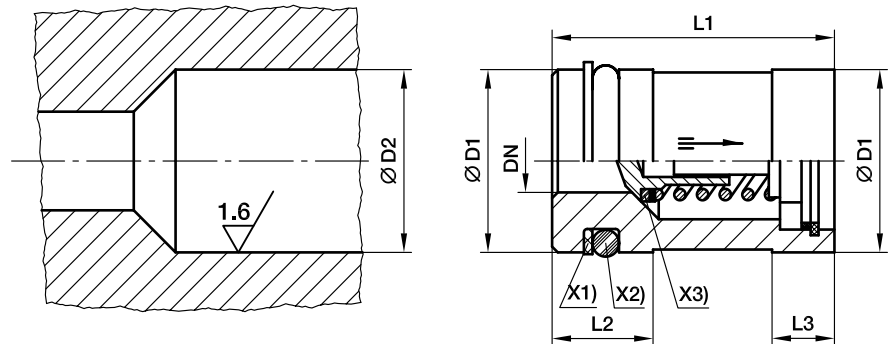


## RVP Non return valve cartridge



- X1) Supporting ring PTFE
- X2) O-ring NBR
- X3) Sealing disc NBR

Valve ITL	DN	D1	D2	L1 ± 0,15	L2	L3	O-ring	Supporting ring	Weight g/1 piece	Order code*	PN (bar) <sup>1)</sup>	
											CF	71
6-L/6 & 8-S	3.5	12.945 ± 0.055	13 <sup>+0.12 +0.05</sup>	23.15	9.5	6.0	8.3×2.4	SRA 13-2.05-1.0	21	<b>RVP13</b>	420	400
8-L/10-S	5.5	15.945 ± 0.055	16 <sup>+0.12 +0.05</sup>	26.65	9.5	6.5	11.3×2.4	SRA 16-2.05-1.0	32	<b>RVP16</b>	420	400
10-L/12-S	7.5	19.935 ± 0.065	20 <sup>+0.142 +0.065</sup>	30.15	9.5	6.5	15.3×2.4	SRA 20-2.05-1.0	54	<b>RVP20</b>	420	400
12-L/14-S	9.5	23.935 ± 0.065	24 <sup>+0.149 +0.065</sup>	35.15	12.0	7.5	18.2×3	SRA 24-2.6-1.0	80	<b>RVP24</b>	420	315
15-L/16-S	11.5	26.935 ± 0.065	27 <sup>+0.149 +0.065</sup>	38.15	12.0	7.5	21.2×3	SRA 27-2.6-1.0	105	<b>RVP27</b>	420	315
18-L/20-S	15.0	34.92 ± 0.08	35 <sup>+0.18 +0.08</sup>	44.65	12.0	9.5	29.2×3	SRA 35-2.5-1.0	204	<b>RVP35</b>	420	250
22-L/25-S	19.0	39.92 ± 0.08	40 <sup>+0.18 +0.08</sup>	50.65	12.0	11.0	34.2×3	SRA 40-2.5-1.0	275	<b>RVP40</b>	420	250
28-L/30-S	24.0	46.92 ± 0.08	47 <sup>+0.18 +0.08</sup>	60.15	13.0	13.0	41.0×3	SRA 47-2.6-1.5	412	<b>RVP47</b>	250	250
35-L/38-S	29.0	54.905 ± 0.095	55 <sup>+0.22 +0.01</sup>	70.15	16.0	13.0	44.2×5.7	SRA 55-5.1-1.5	607	<b>RVP55</b>	250	250

<sup>1)</sup> Pressure shown = item deliverable

$$\frac{\text{PN (bar)}}{10} = \text{PN (MPa)}$$

**Delivery without nut and ring. Information on ordering complete fittings or alternative sealing materials see page 17.**

\*Please add the **suffixes** below according to the material/surface required.

Order code suffixes			
Material	Suffix surface and material	Example	Standard sealing material (no additional suffix needed)
Steel, zinc plated, Cr(VI)-free	CF	RVP13CF	NBR
Stainless steel	71	RVP1371	VIT

