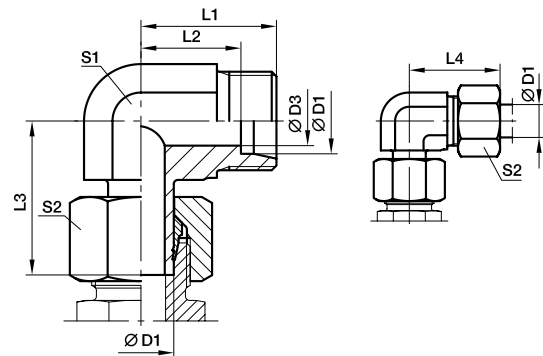


## EVW - Standpipe elbow

EO 24° cone end / EO stand pipe adjustable



With pre-assembled nut and progressive ring for connection.  
Final assembly (in appropriate body) at least 1/4 turn beyond the point of clearly perceptible resistance.

Series	Ø D1	D3	L1	L2	L3	L4	S1	S2	Weight g/1 piece	Order code	PN (bar)		
											CF	71	MS
L	06	4	19	12.0	26.0	27	12	14	32	EVW06L	315	315	200
	08	6	21	14.0	27.5	29	12	17	40	EVW08L	315	315	200
	10	8	22	15.0	29.0	30	14	19	54	EVW10L	315	315	200
	12	10	24	17.0	29.5	32	17	22	76	EVW12L	315	315	200
	15	12	28	21.0	32.5	36	19	27	119	EVW15L	315	315	200
	18	15	31	23.5	35.5	40	24	32	192	EVW18L	315	315	200
	22	19	35	27.5	38.5	44	27	36	355	EVW22L	160	160	100
	28	24	38	30.5	42.0	47	36	41	514	EVW28L	160	160	100
	35	30	45	34.5	51.0	56	41	50	536	EVW35L	160	160	100
42	36	51	40.0	60.0	63	50	60	977	EVW42L	160	160	100	
S	06	4	23	16.0	27.0	31	12	17	44	EVW06S	630	630	400
	08	5	24	17.0	27.5	32	14	19	63	EVW08S	630	630	400
	10	7	25	17.5	31.0	34	17	22	95	EVW10S	630	630	400
	12	8	29	21.5	31.0	38	17	24	110	EVW12S	630	630	400
	14	10	30	22.0	35.0	40	19	27	137	EVW14S	400	400	250
	16	12	33	24.5	37.5	43	24	30	211	EVW16S	400	400	250
	20	16	37	26.5	44.5	48	27	36	306	EVW20S	400	400	250
	25	20	42	30.0	50.0	54	36	46	558	EVW25S	400	400	250
	30	25	49	35.5	55.0	62	41	50	724	EVW30S	400	400	250
38	32	57	41.0	66.5	72	50	60	1307	EVW38S	315	315	200	

Order code suffixes			
	Stainless Steel	Brass	Body Only
Suffix	71	MS	OMD
Example	EVW16S71	EVW16SMS	EVW16SOMD