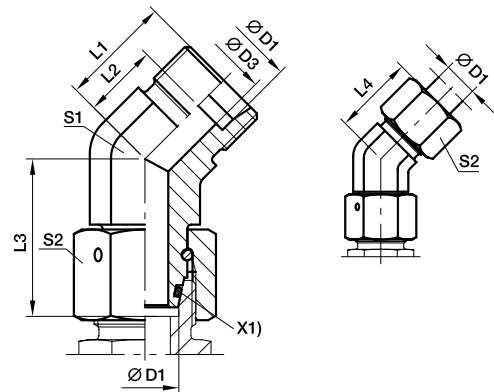


## EV - Swivel nut 45° elbow

EO 24° cone end / EO 24° DKO swivel



X1) O-ring OR

Series	Ø D1	D3	L1	L2	L3	L4	S1	S2	Weight g/1 piece	Order code	PN (bar)	
											CF	71
L	06	4	16.0	9.0	26.0	24	14	14	37	EV06L	315	315
	08	6	19.0	12.0	27.5	27	14	17	49	EV08L	315	315
	10	8	19.0	12.0	29.0	27	19	19	77	EV10L	315	315
	12	10	21.0	14.0	29.5	29	19	22	86	EV12L	315	315
	15	12	24.0	17.0	32.5	32	22	27	144	EV15L	315	315
	18	15	24.0	16.5	35.5	33	27	32	210	EV18L	315	315
	22	19	26.0	18.5	38.5	35	30	36	270	EV22L	160	160
	28	24	30.5	23.0	41.5	40	36	41	385	EV28L	160	160
	35	30	37.0	26.5	51.0	48	50	50	805	EV35L	160	160
42	36	37.0	26.0	56.0	49	50	60	887	EV42L	160	160	
S	06	4	16.0	9.0	27.0	24	14	17	50	EV06S	630	630
	08	5	19.0	12.0	27.5	27	19	19	80	EV08S	630	630
	10	7	21.0	13.5	30.0	30	19	22	95	EV10S	630	630
	12	8	24.0	16.5	31.0	33	22	24	137	EV12S	630	630
	16	12	24.0	15.5	36.5	34	27	30	217	EV16S	400	400
	20	16	26.5	16.0	44.5	38	30	36	313	EV20S	400	400
	25	20	30.5	18.5	50.0	43	36	46	529	EV25S	400	400
	30	25	37.0	23.5	55.0	50	50	50	940	EV30S	400	400
	38	32	37.0	21.0	63.0	52	50	60	1055	EV38S	315	315

Order code suffixes		
	Stainless Steel	Body Only
Suffix	71	OMD
Example	EV16S71	EV16S0MD