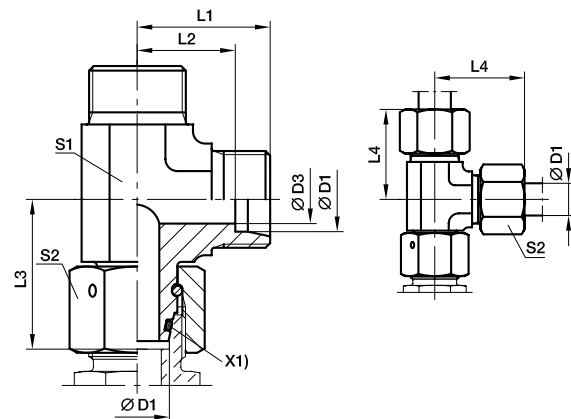


EL - Swivel nut run tee

EO 24° cone end / EO 24° DKO swivel



X1) O-ring OR

Series	Ø D1	D3	L1	L2	L3	L4	S1	S2	Weight g/1 piece	Order code	PN (bar)	
											CF	71
L	06	4	19	12.0	26.0	27	12	14	44	EL06L	500	315
	08	6	21	14.0	27.5	29	12	17	53	EL08L	500	315
	10	8	22	15.0	29.0	30	14	19	68	EL10L	500	315
	12	10	24	17.0	29.5	32	17	22	95	EL12L	400	315
	15	12	28	21.0	32.5	36	19	27	151	EL15L	400	315
	18	15	31	23.5	35.5	40	24	32	233	EL18L	400	315
	22	19	35	27.5	38.5	44	27	36	309	EL22L	250	160
	28	24	38	30.5	41.5	47	36	41	436	EL28L	250	160
	35	30	45	34.5	51.0	56	41	50	666	EL35L	250	160
	42	36	51	40.0	56.0	63	50	60	1163	EL42L	250	160
S	06	4	23	16.0	27.0	31	12	17	65	EL06S	800	630
	08	5	24	17.0	27.5	32	14	19	84	EL08S	800	630
	10	6	25	17.5	30.0	34	17	22	118	EL10S	800	630
	12	8	29	21.5	31.0	38	17	24	136	EL12S	630	630
	14	9	30	22.0	35.0	40	19	27	173	EL14S	630	630
	16	12	33	24.5	36.5	43	24	30	260	EL16S	630	400
	20	16	37	26.5	44.5	48	27	36	375	EL20S	420	400
	25	20	42	30.0	50.0	54	36	46	655	EL25S	420	400
	30	25	49	35.5	55.0	62	41	50	906	EL30S	420	400
	38	32	57	41.0	63.0	72	50	60	1472	EL38S	420	315

Order code suffixes			
	Stainless Steel		Body Only
Suffix	71		OMD
Example	EL16S71		EL16S0MD