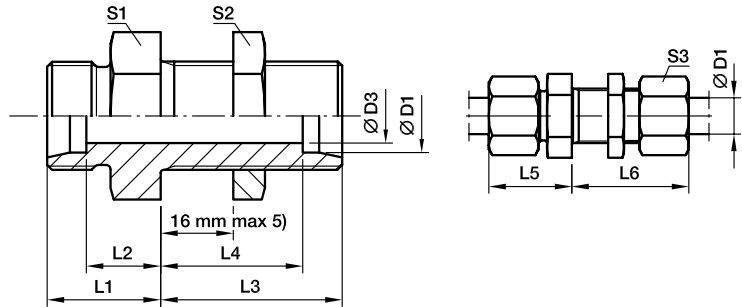


## SV - Bulkhead union

EO 24° cone end



Series	Ø		L1	L2	L3	L4	L5	L6	S1	S2	S3	Weight g/1 piece	Order code	PN (bar)		
	D1	D3												CF	71	MS
L	06	4	14	7.0	34	27.0	22	42	17	17	14	39	SV06L	500	315	200
	08	6	15	8.0	34	27.0	23	42	19	19	17	50	SV08L	500	315	200
	10	8	17	10.0	35	28.0	25	43	22	22	19	67	SV10L	500	315	200
	12	10	17	10.0	36	29.0	25	44	24	24	22	78	SV12L	400	315	200
	15	12	19	12.0	38	31.0	27	46	27	30	27	128	SV15L	400	315	200
	18	15	21	13.5	40	32.5	30	49	32	36	32	198	SV18L	400	315	200
	22	19	24	16.5	42	34.5	33	51	36	41	36	254	SV22L	250	160	100
	28	24	26	18.5	43	35.5	35	52	41	46	41	335	SV28L	250	160	100
	35	30	29	18.5	47	36.5	40	58	50	55	50	546	SV35L	250	160	160
	42	36	30	19.0	47	36.0	42	59	60	65	60	758	SV42L	250	160	160
S	06	4	19	12.0	36	29.0	27	44	19	19	17	65	SV06S	800	630	400
	08	5	20	13.0	36	29.0	28	44	22	22	19	87	SV08S	800	630	400
	10	7	22	14.5	37	29.5	31	46	24	24	22	112	SV10S	800	630	400
	12	8	22	14.5	38	30.5	31	47	27	27	24	141	SV12S	630	630	400
	14	10	25	17.0	40	32.0	35	50	30	30	27	180	SV14S	630	630	
	16	12	25	16.5	40	31.5	35	50	32	32	30	201	SV16S	630	400	250
	20	16	28	17.5	44	33.5	39	55	41	41	36	462	SV20S	420	400	250
	25	20	32	20.0	47	35.0	44	59	46	46	46	492	SV25S	420	400	250
	30	25	35	21.5	51	37.5	48	64	50	50	50	631	SV30S	420	400	250
	38	32	38	22.0	53	37.0	53	68	65	65	60	1083	SV38S	420	315	

5) Bulkhead thickness min.  
06-18 L and 06-16 S = 3 mm  
22-42 L and 20-38 S = 4 mm

Order code suffixes			
	Stainless Steel	Brass	Body Only
Suffix	71	MS	X
Example	SV16S71	SV16MS	SV16S0MD