

**VKA3 Test Point for cones with threaded connection M 16×2**

**Series 3**

With 24° cone swivel nut connection

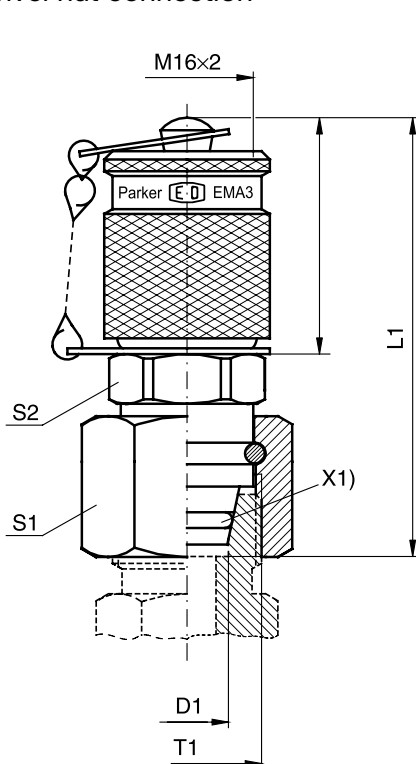


Fig. A

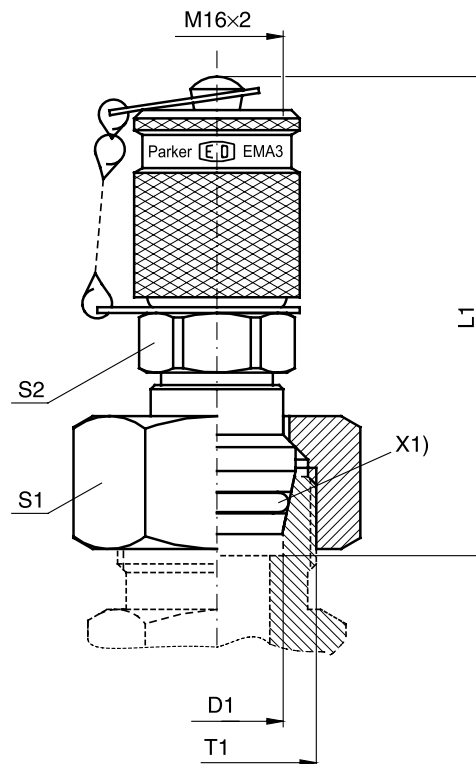


Fig. B

X1) O-ring

Series	D1	T1	L1	S1	S2	Fig.	Weight g/1 piece	Order code*	PN (bar) <sup>1)</sup>		DF <sup>**</sup>	
									CF	71	CF	71
L <sup>3)</sup>	06	M 12×1.5	55	14	17	A	82	<b>VKA3/06L</b>	315	315	4	4
	08	M 14×1.5	51	17	17	A	82	<b>VKA3/08L</b>	315	315	4	4
	10	M 16×1.5	53	19	17	A	93	<b>VKA3/10L</b>	315	315	4	4
	12	M 18×1.5	53	22	17	A	107	<b>VKA3/12L</b>	315	315	4	4
	15	M 22×1.5	59	27	17	B	133	<b>VKA3/15L</b>	315	315	4	4
	18	M 26×1.5	59	32	17	B	163	<b>VKA3/18L</b>	315	315	4	4
	22	M 30×2.0	60	36	17	B	205	<b>VKA3/22L</b>	160	160	4	4
	28	M 36×2.0	64	41	17	B	269	<b>VKA3/28L</b>	160	160	4	4
	35	M 45×2.0	71	50	17	B	411	<b>VKA3/35L</b>	160	160	4	4
	42	M 52×2.0	72	60	17	B	592	<b>VKA3/42L</b>	160	160	4	4
S <sup>4)</sup>	06	M 14×1.5	50	17	17	A	81	<b>VKA3/06S</b>	630	630	4	4
	08	M 16×1.5	52	19	17	A	88	<b>VKA3/08S</b>	630	630	4	4
	10	M 18×1.5	53	22	17	A	99	<b>VKA3/10S</b>	630	630	4	4
	12	M 20×1.5	54	24	19	A	121	<b>VKA3/12S</b>	630	630	4	4
	14	M 22×1.5	59	27	17	B	136	<b>VKA3/14S</b>	630	630	4	4
	16	M 24×1.5	58	30	17	B	156	<b>VKA3/16S</b>	400	400	4	4
	20	M 30×2.0	65	36	17	B	223	<b>VKA3/20S</b>	400	400	4	4
	25	M 36×2.0	68	46	17	B	367	<b>VKA3/25S</b>	400	400	4	4
	30	M 42×2.0	74	50	17	B	444	<b>VKA3/30S</b>	400	400	4	4
	38	M 52×2.0	81	60	17	B	655	<b>VKA3/38S</b>	315	315	4	4

\*\*DF = Design Factor

<sup>1)</sup>Pressure shown = item deliverable

<sup>3)</sup>L = light series; <sup>4)</sup>S = heavy series

PN (bar)  
10 = PN (MPa)

\*Please add the **suffixes**  
below according to the material/  
surface required.

Order code suffixes			
Material	Suffix surface and material	Example	Standard sealing material (no additional suffix needed)
Steel, zinc plated, Cr(VI)-free	CF	VKA3/06LCF	NBR
Stainless Steel	71	VKA3/06L71	VIT