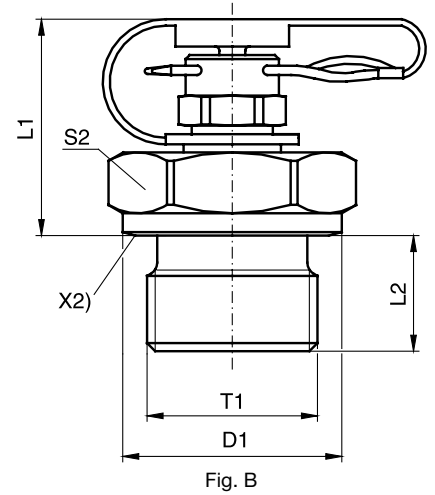
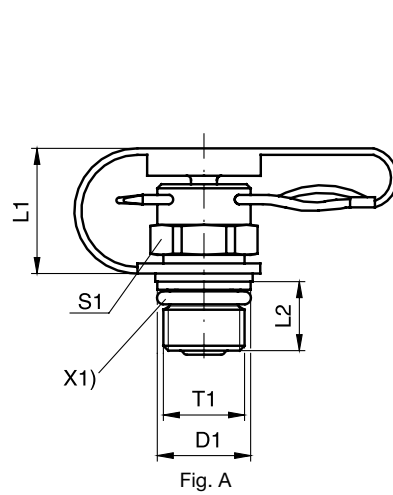


**EMA1 Test point fitting with pin-lock**

**Series 1**

Male stud thread: BSP, metric



X1) O-ring  
X2) Cutting face

| T1       | D1   | L1   | L2   | S1 | S2 | Fig. | Weight g/1 piece | Order code*        | PN (bar) <sup>1)</sup><br>CF | DF** |
|----------|------|------|------|----|----|------|------------------|--------------------|------------------------------|------|
| M 12x1.5 | 17.0 | 32.0 | 12.0 |    | 19 | B    | 53               | <b>EMA1/12X1.5</b> | 400                          | 4    |
| M 14x1.5 | 19.0 | 32.0 | 12.0 |    | 19 | B    | 56               | <b>EMA1/14X1.5</b> | 400                          | 4    |
| M 16x1.5 | 21.0 | 25.0 | 12.0 |    | 22 | B    | 47               | <b>EMA1/16X1.5</b> | 400                          | 4    |
| G 1/8    | 14.0 | 32.5 | 8.0  |    | 17 | B    | 41               | <b>EMA1/1/8</b>    | 400                          | 4    |
| G 1/4    | 18.0 | 32.0 | 12.0 |    | 19 | B    | 54               | <b>EMA1/1/4</b>    | 400                          | 4    |
| G 3/8    | 22.0 | 27.5 | 12.0 |    | 22 | B    | 55               | <b>EMA1/3/8</b>    | 400                          | 4    |
| G 1/2    | 26.0 | 27.5 | 14.0 |    | 27 | B    | 78               | <b>EMA1/1/2</b>    | 400                          | 4    |
| M 08x1.0 | 9.5  | 17.5 | 8.4  | 12 |    | A    | 16               | <b>EMA1/8X1OR</b>  | 400                          | 4    |
| M 10x1.0 | 11.5 | 18.0 | 8.0  | 12 |    | A    | 18               | <b>EMA1/10X1OR</b> | 400                          | 4    |
| M 10x1.0 | 14.0 | 32.5 | 8.0  |    | 17 | B    | 42               | <b>EMA1/10X1</b>   | 400                          | 4    |

\*\*DF = Design Factor

<sup>1)</sup>Pressure shown = item deliverable

$$\frac{PN \text{ (bar)}}{10} = PN \text{ (MPa)}$$

\*Please add the **suffixes** below according to the material/surface required.

| Order code suffixes             |                             |               |   |
|---------------------------------|-----------------------------|---------------|---|
| Material                        | Suffix surface and material | Example       | Standard sealing material (no additional suffix needed) |
| Steel, zinc plated, Cr(VI)-free | CF                          | EMA1/12X1.5CF | NBR   |