

# WELD FITTINGS

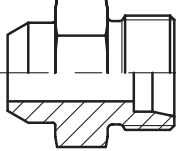
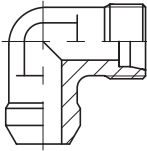
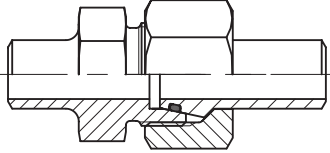
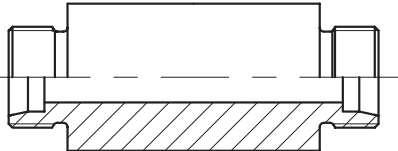
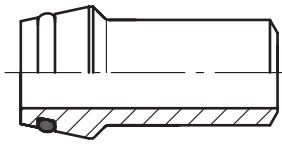
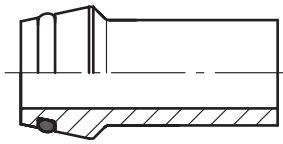
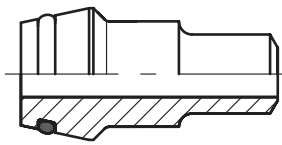
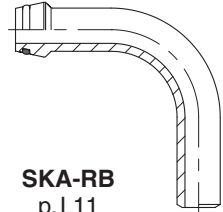
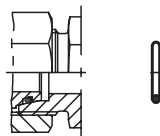


**GEEVEHYDRAULICS B.V.**

HYDRAULISCHE SLANGEN & KOMPONENTEN

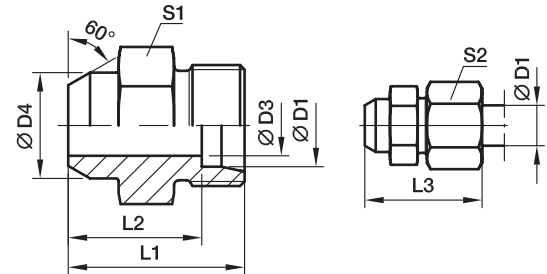


## Visual index

<p>Tube to weld</p>	<div style="display: flex; justify-content: space-around; align-items: center;"> <div style="text-align: center;">  <p><b>AS</b> p. L3</p> </div> <div style="text-align: center;">  <p><b>WAS</b> p. L4</p> </div> </div>
<p>Weld fitting</p>	<div style="text-align: center;">  <p><b>ASK</b> p. L5</p> </div>
<p>Weld bulkhead</p>	<div style="text-align: center;">  <p><b>ESV</b> p. L6</p> </div>
<p>Weld nipple</p>	<div style="display: flex; justify-content: space-around; align-items: center;"> <div style="text-align: center;">  <p><b>SKA</b> p. L7</p> </div> <div style="text-align: center;">  <p><b>SKA-ORB</b> p. L10</p> </div> </div>
<p>Reducing weld nipple</p>	<div style="text-align: center;">  <p><b>SKAR</b> p. L8/9</p> </div>
<p>Tube bend weld nipple</p>	<div style="text-align: center;">  <p><b>SKA-RB</b> p. L11</p> </div>
<p>O-ring</p>	<div style="text-align: center;">  <p><b>O-ring</b> p. L12</p> </div>

## AS weld connector

Butt weld / EO 24° cone end



Series	D1	D3	D4	L1	L2	L3	S1	S2	Weight g/1 piece	Order code	PN (bar) <sup>1)</sup>	
											Steel	Stainless Steel
L <sup>3)</sup>	06	4	10	21	14.0	29	12	14	11	<b>AS06L</b>	315	315
	08	6	12	23	16.0	31	14	17	15	<b>AS08L</b>	315	315
	10	8	14	25	18.0	33	17	19	22	<b>AS10L</b>	315	315
	12	10	16	25	18.0	33	19	22	25	<b>AS12L</b>	315	315
	15	12	19	29	22.0	37	22	27	44	<b>AS15L</b>	315	315
	18	15	22	31	23.5	40	27	32	67	<b>AS18L</b>	315	315
	22	19	27	36	28.5	45	32	36	98	<b>AS22L</b>	160	160
	28	24	32	38	30.5	47	41	41	165	<b>AS28L</b>	160	160
	35	30	40	43	32.5	54	46	50	232	<b>AS35L</b>	160	160
	42	36	46	46	35.0	58	55	60	342	<b>AS42L</b>	160	160
S <sup>4)</sup>	06	4	11	26	19.0	34	14	17	21	<b>AS06S</b>	630	630
	08	5	13	28	21.0	36	17	19	31	<b>AS08S</b>	630	630
	10	7	15	30	22.5	39	19	22	41	<b>AS10S</b>	630	630
	12	8	17	32	24.5	41	22	24	93	<b>AS12S</b>	630	630
	14	10	19	35	27.0	45	24	27	55	<b>AS14S</b>	630	630
	16	12	21	35	26.5	45	27	30	82	<b>AS16S</b>	400	400
	20	16	26	40	29.5	51	32	36	131	<b>AS20S</b>	400	400
	25	20	31	44	32.0	56	41	46	219	<b>AS25S</b>	400	400
	30	25	36	49	35.5	62	46	50	297	<b>AS30S</b>	400	400
	38	32	44	54	38.0	69	55	60	448	<b>AS38S</b>	315	315

<sup>1)</sup> Pressure shown = item deliverable

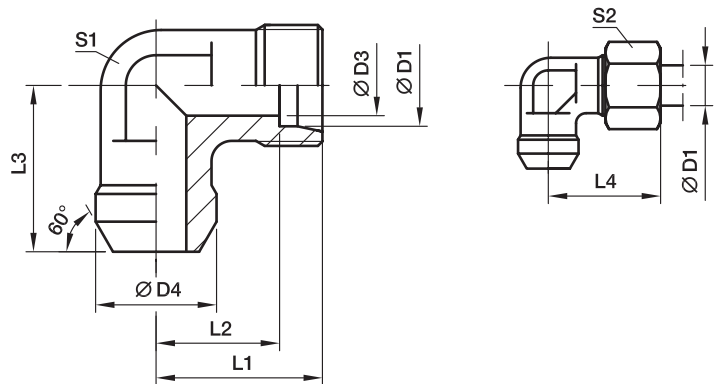
<sup>3)</sup> L = light series; <sup>4)</sup> S = heavy series

\*Please add the **suffixes** below according to the material/surface required.

Order code suffixes		
Material	Suffix surface and material	Example
Steel		AS16SX
Stainless Steel	71X	AS16S71X

## WAS Weld elbow

Butt weld / EO 24° cone end



Series	D1 	D3	D4	L1	L2	L3	L4	S1	S2	Weight g/1 piece	Order code	PN (bar) <sup>1)</sup>	
												Steel	Stainless Steel
L <sup>3)</sup>	06	4	10	19	12.0	19	27	12	14	20	<b>WAS06L</b>	315	315
	08	6	12	21	14.0	23	29	12	17	25	<b>WAS08L</b>	315	315
	10	8	14	22	15.0	24	30	14	19	34	<b>WAS10L</b>	315	315
	12	10	16	24	17.0	25	32	17	22	45	<b>WAS12L</b>	315	315
	15	12	19	28	21.0	30	36	19	27	81	<b>WAS15L</b>	315	315
	18	15	22	31	23.5	33	40	24	32	113	<b>WAS18L</b>	315	315
	22	19	27	35	27.5	37	44	27	36	151	<b>WAS22L</b>	160	160
	28	24	32	38	30.5	42	47	36	41	271	<b>WAS28L</b>	160	160
	35	30	40	45	34.5	49	56	41	50	113	<b>WAS35L</b>	160	160
	42	36	46	51	40.0	57	63	50	60	420	<b>WAS42L</b>	160	160
S <sup>4)</sup>	06	4	11	23	16.0	23	31	12	17	31	<b>WAS06S</b>	630	630
	08	5	13	24	17.0	24	32	14	19	44	<b>WAS08S</b>	630	630
	10	7	15	25	17.5	25	34	17	22	59	<b>WAS10S</b>	630	630
	12	8	17	29	21.5	29	38	17	24	78	<b>WAS12S</b>	630	630
	14	10	19	30	22.0	30	40	19	27	98	<b>WAS14S</b>	630	630
	16	12	21	33	24.5	33	43	24	30	133	<b>WAS16S</b>	400	400
	20	16	26	37	26.5	37	48	27	36	192	<b>WAS20S</b>	400	400
	25	20	31	42	30.0	42	54	36	46	351	<b>WAS25S</b>	400	400
	30	25	36	49	35.5	49	62	41	50	525	<b>WAS30S</b>	400	400
	38	32	44	57	41.0	57	72	50	60	785	<b>WAS38S</b>	315	315

<sup>1)</sup> Pressure shown = item deliverable

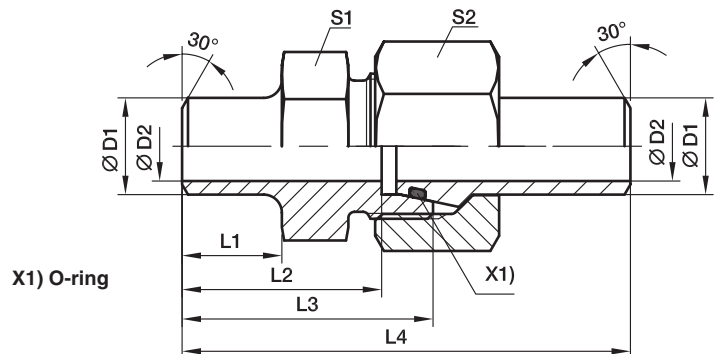
<sup>3)</sup> L = light series; <sup>4)</sup> S = heavy series

\*Please add the **suffixes** below according to the material/surface required.

Order code suffixes		
Material	Suffix surface and material	Example
Steel		WAS16SX
Stainless Steel	71X	WAS16S71X

## ASK Weld fitting for tubes

Butt weld / Butt weld



Series	D1 	D2	L1	L2	L3	L4	S1	S2	recommended tube	Weight g/1 piece	Order code	PN (bar) <sup>1)</sup>	
												Steel	Stainless Steel
S <sup>4)</sup>	10	8	10.0	24.5	32.0	58.0	19	22	10X1.0	75	<b>ASK610X1S</b>	249	242
	10	7	10.0	24.5	32.0	58.0	19	22	10X1.5	81	<b>ASK610X1.5S</b>	358	349
	10	6	10.0	24.5	32.0	58.0	19	22	10X2.0	86	<b>ASK610X2S</b>	460	447
	12	9	15.0	29.5	37.0	63.0	22	24	12X1.5	106	<b>ASK612X1.5S</b>	305	297
	12	8	15.0	29.5	37.0	63.0	22	24	12X2.0	107	<b>ASK612X2S</b>	393	383
	12	7	15.0	29.5	37.0	63.0	22	24	12X2.5	109	<b>ASK612X2.5S</b>	476	463
	16	13	16.5	33.0	41.5	73.5	27	30	16X1.5	166	<b>ASK616X1.5S</b>	234	228
	16	12	16.5	33.0	41.5	73.5	27	30	16X2.0	175	<b>ASK616X2S</b>	305	297
	16	11	16.5	33.0	41.5	73.5	27	30	16X2.5	184	<b>ASK616X2.5S</b>	372	362
	16	10	16.5	33.0	41.5	73.5	27	30	16X3.0	193	<b>ASK616X3S</b>	400	400
	20	16	19.0	36.5	47.0	83.5	32	36	20X2.0	301	<b>ASK620X2S</b>	249	242
	20	15	19.0	36.5	47.0	83.5	32	36	20X2.5	311	<b>ASK620X2.5S</b>	305	297
	20	14	19.0	36.5	47.0	83.5	32	36	20X3.0	316	<b>ASK620X3S</b>	358	349
	20	12	19.0	36.5	47.0	83.5	32	36	20X4.0	322	<b>ASK620X4S</b>	400	400
	25	19	19.5	39.5	51.5	92.5	41	46	25X3.0	551	<b>ASK625X3S</b>	294	286
	25	17	19.5	39.5	51.5	92.5	41	46	25X4.0	559	<b>ASK625X4S</b>	379	369
25	15	19.5	39.5	51.5	92.5	41	46	25X5.0	589	<b>ASK625X5S</b>	400	400	
30	24	23.0	44.5	58.0	101.5	46	50	30X3.0	671	<b>ASK630X3S</b>	249	242	
30	22	23.0	44.5	58.0	101.5	46	50	30X4.0	679	<b>ASK630X4S</b>	323	314	
30	20	23.0	44.5	58.0	101.5	46	50	30X5.0	726	<b>ASK630X5S</b>	393	383	
30	18	23.0	44.5	58.0	101.5	46	50	30X6.0	791	<b>ASK630X6S</b>	400	400	
38	30	22.0	44.0	60.0	108.0	55	60	38X4.0	988	<b>ASK638X4S</b>	261	254	
38	28	22.0	44.0	60.0	108.0	55	60	38X5.0	1044	<b>ASK638X5S</b>	315	311	
38	26	22.0	44.0	60.0	108.0	55	60	38X6.0	1108	<b>ASK638X6S</b>	315	315	
38	24	22.0	44.0	60.0	108.0	55	60	38X7.0	1205	<b>ASK638X7S</b>	315	315	

<sup>1)</sup> Pressure shown = item deliverable

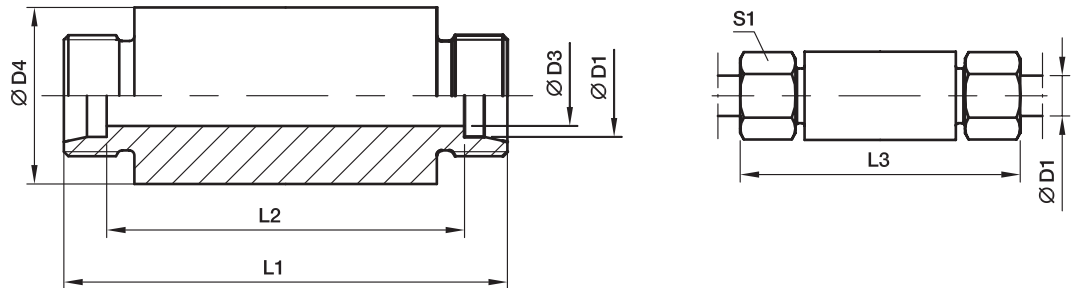
<sup>4)</sup> S = heavy series

\*Please add the **suffixes** below according to the material/surface required.

Order code suffixes			
Material	Suffix surface and material	Example	Standard sealing material (no additional suffix needed)
Steel		ASK616X2S	NBR
Stainless Steel	71	ASK616X2S71	VIT

## ESV Weld bulkhead fitting

EO 24° cone end / EO 24° cone end



Series	D1 	D3	D4	L1	L2	L3	S1	Weight g/1 piece	Order code	PN (bar) <sup>1)</sup>	
										Steel	Stainless Steel
L <sup>3)</sup>	06	4	18	70	56	85	14	103	<b>ESV06L</b>	315	315
	08	6	20	70	56	85	17	121	<b>ESV08L</b>	315	315
	10	8	22	72	58	87	19	142	<b>ESV10L</b>	315	315
	12	10	25	72	58	87	22	176	<b>ESV12L</b>	315	315
	15	12	28	84	70	100	27	262	<b>ESV15L</b>	315	315
	18	15	32	84	69	101	32	333	<b>ESV18L</b>	315	315
	22	19	36	88	73	105	36	394	<b>ESV22L</b>	160	160
	28	24	40	88	73	106	41	448	<b>ESV28L</b>	160	160
	35	30	50	92	71	114	50	713	<b>ESV35L</b>	160	160
	42	36	60	92	70	115	60	997	<b>ESV42L</b>	160	160
S <sup>4)</sup>	06	4	20	74	60	89	17	135	<b>ESV06S</b>	630	630
	08	5	22	74	60	89	19	163	<b>ESV08S</b>	630	630
	10	7	25	74	59	91	22	201	<b>ESV10S</b>	630	630
	12	8	28	74	59	91	24	249	<b>ESV12S</b>	630	630
	14	10	30	88	72	107	27	337	<b>ESV14S</b>	630	630
	16	12	35	88	71	107	30	441	<b>ESV16S</b>	400	400
	20	16	38	92	71	114	36	509	<b>ESV20S</b>	400	400
	25	20	45	96	72	120	46	720	<b>ESV25S</b>	400	400
	30	25	50	100	73	126	50	873	<b>ESV30S</b>	400	400
	38	32	60	104	72	133	60	1248	<b>ESV38S</b>	315	315

<sup>1)</sup> Pressure shown = item deliverable

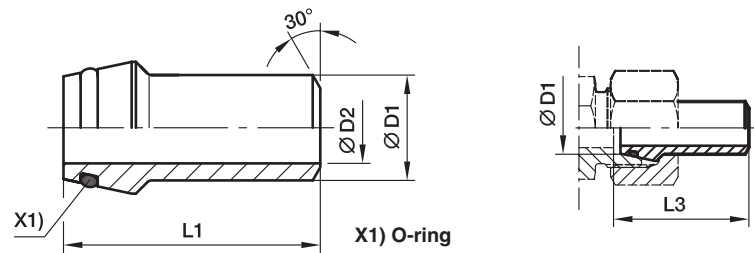
<sup>3)</sup> L = light series; <sup>4)</sup> S = heavy series

\*Please add the **suffixes** below according to the material/surface required.

Order code suffixes		
Material	Suffix surface and material	Example
Steel		ESV16SX
Stainless Steel	71X	ESV16S71X

## SKA Weld nipple

EO 24° O-ring weld nipple / butt weld



Series	D1	D2	L1	L3	recommended tube	Weight g/1 piece	Order code	PN (bar) <sup>1)</sup>	
								Steel	Stainless Steel
L <sup>3)</sup> /S <sup>4)</sup>	06	3.0	31.0	31.5	6X1.5	7	SKA06X1.5	528	539
	08	4.5	31.0	31.5	8X1.5	11	SKA08X1.5	414	424
	08	4.0	31.0	31.5	8X2.0	11	SKA08X2	528	539
	10	8.0	32.5	33.5	10X1.0	13	SKA10X1	249	242
	10	7.0	32.5	33.5	10X1.5	13	SKA10X1.5	358	349
	10	6.0	32.5	33.5	10X2.0	16	SKA10X2	460	447
	12	9.0	32.5	33.5	12X1.5	21	SKA12X1.5	305	297
	12	8.0	32.5	33.5	12X2.0	20	SKA12X2	393	383
	12	7.0	32.5	33.5	12X2.5	22	SKA12X2.5	476	463
	L <sup>3)</sup>	15	11.0	34.0	34.5	15X2.0	29	SKA15X2	315
15		10.0	34.0	34.5	15X2.5	31	SKA15X2.5	315	315
18		13.0	35.5	36.5	18X2.5	40	SKA18X2.5	315	315
22		17.0	38.5	39.5	22X2.5	57	SKA22X2.5	160	160
28		23.0	41.5	42.5	28X2.5	73	SKA28X2.5	160	160
28		22.0	41.5	42.5	28X3.0	89	SKA28X3	160	160
35		28.0	47.5	49.5	35X3.5	140	SKA35X3.5	160	160
35		27.0	47.5	49.5	35X4.0	150	SKA35X4	160	160
42		36.0	47.5	50.0	42X3.0	155	SKA42X3	160	160
42		34.0	47.5	50.0	42X4.0	190	SKA42X4	160	160
S <sup>4)</sup>	14	10.0	38.5	39.5	14X2.0	26	SKA14X2	343	334
	14	8.0	38.5	39.5	14X3.0	33	SKA14X3	487	474
	16	13.0	39.0	40.5	16X1.5	32	SKA16X1.5	234	228
	16	12.0	39.0	40.5	16X2.0	31	SKA16X2	305	297
	16	11.0	39.0	40.5	16X2.5	38	SKA16X2.5	372	362
	16	10.0	39.0	40.5	16X3.0	41	SKA16X3	400	400
	20	16.0	45.0	47.0	20X2.0	57	SKA20X2	249	242
	20	15.0	45.0	47.0	20X2.5	57	SKA20X2.5	305	297
	20	14.0	45.0	47.0	20X3.0	64	SKA20X3	358	349
	20	13.0	45.0	47.0	20X3.5	71	SKA20X3.5	400	400
	20	12.0	45.0	47.0	20X4.0	78	SKA20X4	400	400
	25	19.0	49.5	53.0	25X3.0	89	SKA25X3	294	286
	25	18.0	49.5	53.0	25X3.5	100	SKA25X3.5	337	328
	25	17.0	49.5	53.0	25X4.0	111	SKA25X4	379	369
	25	15.0	49.5	53.0	25X5.0	125	SKA25X5	400	400
	30	24.0	52.0	57.0	30X3.0	113	SKA30X3	249	242
	30	22.0	52.0	57.0	30X4.0	141	SKA30X4	323	314
	30	20.0	52.0	57.0	30X5.0	166	SKA30X5	393	383
	30	18.0	52.0	57.0	30X6.0	188	SKA30X6	400	400
	38	32.0	56.5	64.0	38X3.0	163	SKA38X3	200	195
38	30.0	56.5	64.0	38X4.0	209	SKA38X4	261	254	
38	28.0	56.5	64.0	38X5.0	247	SKA38X5	315	315	
38	26.0	56.5	64.0	38X6.0	270	SKA38X6	315	315	
38	24.0	56.5	64.0	38X7.0	270	SKA38X7	315	315	

<sup>1)</sup> Pressure shown = item deliverable

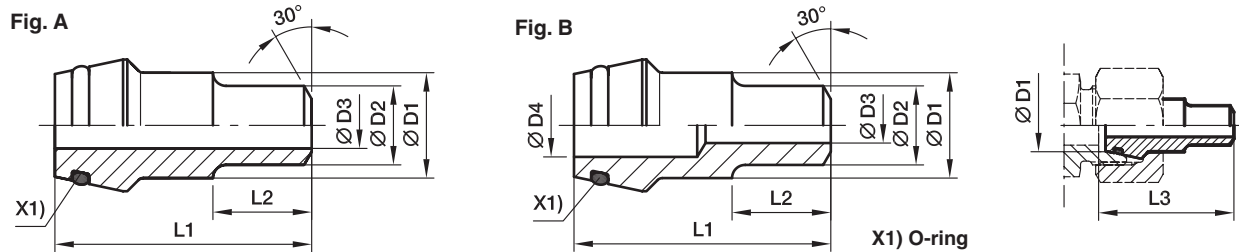
<sup>3)</sup> L = light series; <sup>4)</sup> S = heavy series

\*Please add the **suffixes** below according to the material/ surface required.

Order code suffixes			
Material	Suffix surface and material	Example	Standard sealing material (no additional suffix needed)
Steel		SKA16X2	NBR
Stainless Steel	71	SKA16X271	VIT

## SKAR Reducing weld nipple

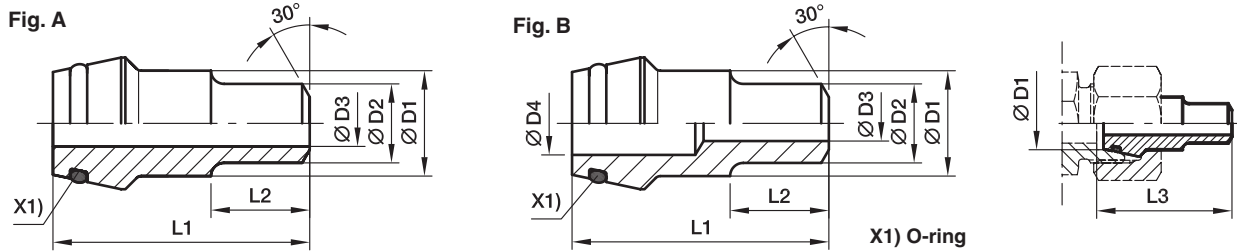
EO 24° O-ring weld nipple / butt weld



Series	D1	D2	D3	D4	L1	L2	L3	Fig.	Weight g/1 piece	Order code	PN (bar) <sup>1)</sup>	
											Steel	Stainless Steel
L <sup>3)</sup> /S <sup>4)</sup>	08	06	3		31.0	12	31.5	A	14	SKAR08/06X1.5	528	539
	10	06	3	5	32.5	12	33.5	B	15	SKAR10/06X1.5	528	539
	10	08	5		32.5	12	33.5	A	16	SKAR10/08X1.5	414	424
	10	08	4		32.5	12	33.5	A	17	SKAR10/08X2	528	539
	12	08	5		32.5	14	33.5	A	18	SKAR12/08X1.5	414	424
	12	08	4	6	32.5	14	33.5	B	20	SKAR12/08X2	528	539
	12	10	7		32.5	14	33.5	A	18	SKAR12/10X1.5	358	349
	S <sup>4)</sup>	16	10	6		39.0	15	40.5	A	43	SKAR16/10X2	400
16		12	9		39.0	15	40.5	A	45	SKAR16/12X1.5	305	297
16		12	8		39.0	15	40.5	A	47	SKAR16/12X2	393	383
16		12	7		39.0	15	40.5	A	49	SKAR16/12X2.5	400	400
20		12	9		45.0	17	47.0	A	76	SKAR20/12X1.5	305	297
20		12	8		45.0	17	47.0	A	78	SKAR20/12X2	393	383
20		12	7		45.0	17	47.0	A	80	SKAR20/12X2.5	400	400
20		12	6		45.0	17	47.0	A	86	SKAR20/12X3	400	400
20		16	12		45.0	17	47.0	A	74	SKAR20/16X2	305	297
20		16	11		45.0	17	47.0	A	76	SKAR20/16X2.5	372	362
20		16	10		45.0	17	47.0	A	78	SKAR20/16X3	400	400
25		12	9		49.5	20	53.0	A	117	SKAR25/12X1.5	305	297
25		12	8		49.5	20	53.0	A	121	SKAR25/12X2	393	383
25		12	7		49.5	20	53.0	A	125	SKAR25/12X2.5	400	400
25		12	6	15	49.5	20	53.0	B	129	SKAR25/12X3	400	400
25		16	12		49.5	20	53.0	A	115	SKAR25/16X2	305	297
25		16	11		49.5	20	53.0	A	120	SKAR25/16X2.5	372	362
25		16	10		49.5	20	53.0	A	123	SKAR25/16X3	400	400
25		20	16		49.5	20	53.0	A	94	SKAR25/20X2	249	242
25		20	15		49.5	20	53.0	A	104	SKAR25/20X2.5	305	297
25		20	14		49.5	20	53.0	A	114	SKAR25/20X3	358	349
25		20	12		49.5	20	53.0	A	124	SKAR25/20X4	400	400
30		12	9	22	52.0	22	57.0	B	135	SKAR30/12X1.5	305	297
30		12	8	22	52.0	22	57.0	B	145	SKAR30/12X2	323	383
30		12	6	22	52.0	22	57.0	B	155	SKAR30/12X3	400	400
30		16	12		52.0	22	57.0	A	166	SKAR30/16X2	305	297
30		16	11		52.0	22	57.0	A	176	SKAR30/16X2.5	323	362
30		20	16		52.0	22	57.0	A	149	SKAR30/20X2	249	242
30		20	15		52.0	22	57.0	A	159	SKAR30/20X2.5	305	297
30		20	14		52.0	22	57.0	A	169	SKAR30/20X3	358	349
30		20	12		52.0	22	57.0	A	184	SKAR30/20X4	400	400
30		25	20		52.0	22	57.0	A	141	SKAR30/25X2.5	249	242
30		25	19		52.0	22	57.0	A	156	SKAR30/25X3	294	286
30		25	17		52.0	22	57.0	A	168	SKAR30/25X4	379	369

## SKAR Reducing weld nipple

EO 24° O-ring weld nipple / butt weld



Series	D1	D2	D3	D4	L1	L2	L3	Fig.	Weight g/1 piece	Order code	PN (bar) <sup>1)</sup>	
											Steel	Stainless Steel
S <sup>4)</sup>	38	12	9	28	56.5	26	64.0	B	219	<b>SKAR38/12X1.5</b>	305	297
	38	12	8	28	56.5	26	64.0	B	234	<b>SKAR38/12X2</b>	315	315
	38	12	6	28	56.5	26	64.0	B	249	<b>SKAR38/12X3</b>	315	315
	38	16	12		56.5	26	64.0	A	279	<b>SKAR38/16X2</b>	305	297
	38	16	11		56.5	26	64.0	A	294	<b>SKAR38/16X2.5</b>	315	315
	38	16	10		56.5	26	64.0	A	309	<b>SKAR38/16X3</b>	315	315
	38	20	16		56.5	26	64.0	A	263	<b>SKAR38/20X2</b>	249	242
	38	20	15		56.5	26	64.0	A	278	<b>SKAR38/20X2.5</b>	305	297
	38	20	14		56.5	26	64.0	A	293	<b>SKAR38/20X3</b>	315	315
	38	20	12		56.5	26	64.0	A	299	<b>SKAR38/20X4</b>	315	315
	38	25	20		56.5	26	64.0	A	242	<b>SKAR38/25X2.5</b>	249	242
	38	25	19		56.5	26	64.0	A	262	<b>SKAR38/25X3</b>	294	286
	38	25	17		56.5	26	64.0	B	285	<b>SKAR38/25X4</b>	315	315
	38	30	24		56.5	26	64.0	A	256	<b>SKAR38/30X3</b>	249	242
	38	30	22		56.5	26	64.0	A	286	<b>SKAR38/30X4</b>	315	315
	38	30	20		56.5	26	64.0	A	316	<b>SKAR38/30X5</b>	315	315

<sup>1)</sup> Pressure shown = item deliverable

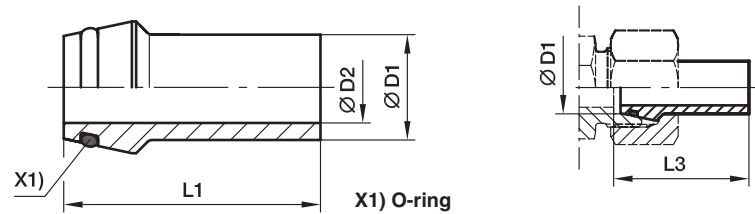
<sup>3)</sup> L = light series; <sup>4)</sup> S = heavy series

\*Please add the **suffixes** below according to the material/surface required.

Order code suffixes			
Material	Suffix surface and material	Example	Standard sealing material (no additional suffix needed)
Steel		SKAR16/12X2	NBR
Stainless Steel	71	SKAR16/12X271	VIT

## SKA-ORB Weld nipple (orbital)

EO 24° O-ring weld nipple / butt weld (orbital)



Series	D1	D2	L1	L3	recommended tube	Weight g/1 piece	Order code	PN (bar) <sup>1)</sup> Stainless Steel
L <sup>3)</sup> /S <sup>4)</sup>	10	6.0	37.5	38.5	10X1.5	13	<b>SKA10X1.5ORB</b>	358
	12	8.0	37.5	38.5	12X1.5	21	<b>SKA12X1.5ORB</b>	305
	12	8.0	37.5	38.5	12X2.0	255	<b>SKA12X2ORB</b>	393
L <sup>3)</sup>	18	13.0	38.0	39.0	18X2.0	43	<b>SKA18X2ORB</b>	290
	22	17.0	38.5	39.5	22X2.0	50	<b>SKA22X2ORB</b>	250
	28	22.0	41.5	42.5	28X2.0	69	<b>SKA28X2ORB</b>	204
	42	36.0	47.5	50.0	42X3.0	160	<b>SKA42X3ORB</b>	182
S <sup>4)</sup>	16	12.0	39.0	40.5	16X2.0	310	<b>SKA16X2ORB</b>	305
	20	14.0	45.0	47.0	20X3.0	640	<b>SKA20X3ORB</b>	358
	25	19.0	49.5	53.0	25X3.0	890	<b>SKA25X3ORB</b>	294

<sup>1)</sup> Pressure shown = item deliverable

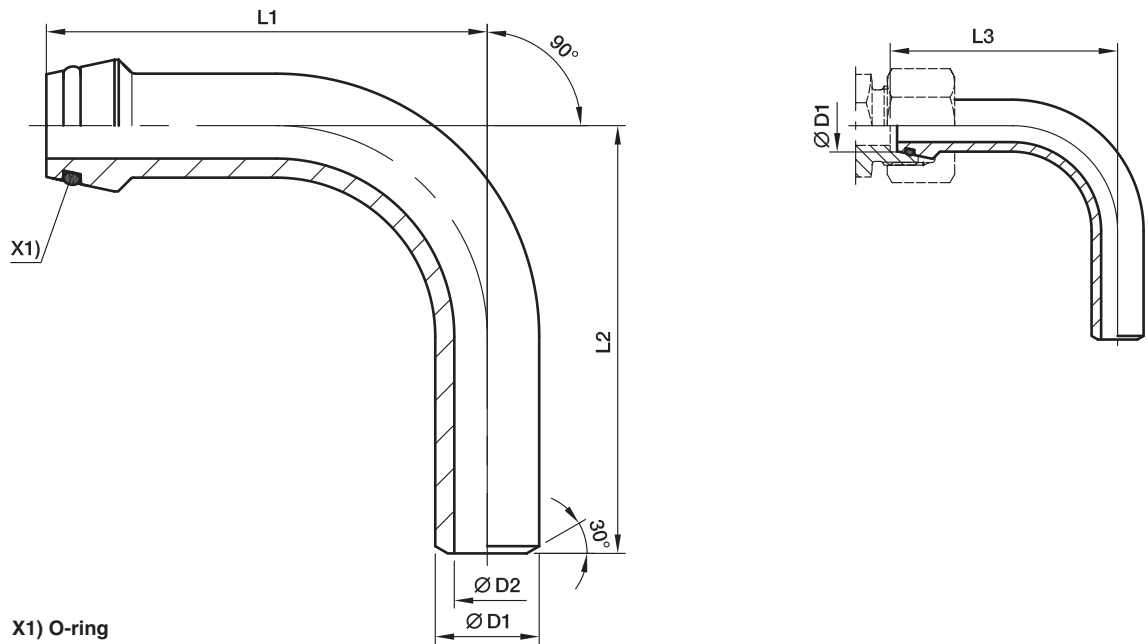
<sup>3)</sup> L = light series; <sup>4)</sup> S = heavy series

\*Please add the **suffixes** below according to the material/surface required.

Order code suffixes			
Material	Suffix surface and material	Example	Standard sealing material (no additional suffix needed)
Stainless Steel	71	SKA16X2ORB71	VIT

## SKA-RB Tube bend weld nipple

EO 24° O-ring weld nipple / butt weld



Series	D1	D2	L1	L2	L3	recommended tube	Weight g/1 piece	Order code	PN (bar) <sup>1)</sup>	
									Steel	Stainless Steel
S <sup>4)</sup>	10	6	49	45	50.0	10X2	38	<b>SKA10X2RB</b>	460	447
	12	7	51	50	52.0	12X2.5	50	<b>SKA12X2.5RB</b>	476	463
	16	10	67	60	68.5	16X3	105	<b>SKA16X3RB</b>	400	400
	20	12	85	65	87.0	20X4	217	<b>SKA20X4RB</b>	400	400
	25	17	85	85	88.5	25X4	295	<b>SKA25X4RB</b>	379	369
	25	15	85	85	88.5	25X5	353	<b>SKA25X5RB</b>	400	400
	30	22	111	110	116.0	30X4	469	<b>SKA30X4RB</b>	323	314
	30	20	111	110	116.0	30X5	568	<b>SKA30X5RB</b>	393	383
	38	28	136	130	143.5	38X5	876	<b>SKA38X5RB</b>	315	315
	38	26	136	130	143.5	38X6	1045	<b>SKA38X6RB</b>	315	315

<sup>1)</sup> Pressure shown = item deliverable

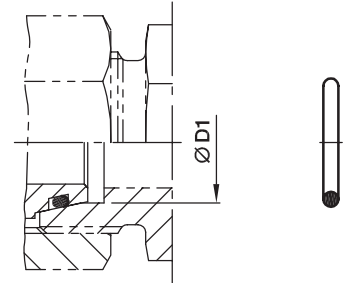
<sup>4)</sup> S = heavy series

\*Please add the **suffixes** below according to the material/surface required.

Order code suffixes			
Material	Suffix surface and material	Example	Standard sealing material (no additional suffix needed)
Steel		SKA16X3RB	NBR
Stainless Steel	71	SKA16X3RB71	VIT

## OR O-ring for weld nipple

For Type: SKA, SKAR, SKA-RB



Series	D1 	O-ring NBR Shore-Hardness approx. 90	O-ring FKM Shore-Hardness approx. 90
L <sup>3)</sup>	06	<b>OR4.5X1.5X</b>	<b>OR4.5X1.5VITX</b>
	08	<b>OR6.5X1.5X</b>	<b>OR6.5X1.5VITX</b>
	10	<b>OR8X1.5X</b>	<b>OR8X1.5VITX</b>
	12	<b>OR10X1.5X</b>	<b>OR10X1.5VITX</b>
	15	<b>OR12X2X</b>	<b>OR12X2VITX</b>
	18	<b>OR15X2X</b>	<b>OR15X2VITX</b>
	22	<b>OR20X2X</b>	<b>OR20X2VITX</b>
	28	<b>OR26X2X</b>	<b>OR26X2VITX</b>
	35	<b>OR32X2.5X</b>	<b>OR32X2.5VITX</b>
	42	<b>OR38X2.5X</b>	<b>OR38X2.5VITX</b>
S <sup>4)</sup>	06	<b>OR4.5X1.5X</b>	<b>OR4.5X1.5VITX</b>
	08	<b>OR6.5X1.5X</b>	<b>OR6.5X1.5VITX</b>
	10	<b>OR8X1.5X</b>	<b>OR8X1.5VITX</b>
	12	<b>OR10X1.5X</b>	<b>OR10X1.5VITX</b>
	14	<b>OR11X2X</b>	<b>OR11X2VITX</b>
	16	<b>OR13X2X</b>	<b>OR13X2VITX</b>
	20	<b>OR16.3X2.4X</b>	<b>OR16.3X2.4VITX</b>
	25	<b>OR20.3X2.4X</b>	<b>OR20.3X2.4VITX</b>
	30	<b>OR25.3X2.4X</b>	<b>OR25.3X2.4VITX</b>
	38	<b>OR33.3X2.4X</b>	<b>OR33.3X2.4VITX</b>

<sup>3)</sup> L = light series; <sup>4)</sup> S = heavy series



Geeve Hydraulics B.V.  
Gouderakstraat 61 3079 DB Rotterdam  
Postbus 9009 3007 AA Rotterdam  
Tel. 010 479 15 11 Fax. 010 479 05 11  
E-mail: [geeve@geeve.com](mailto:geeve@geeve.com)  
Internet: [www.geeve.com](http://www.geeve.com)